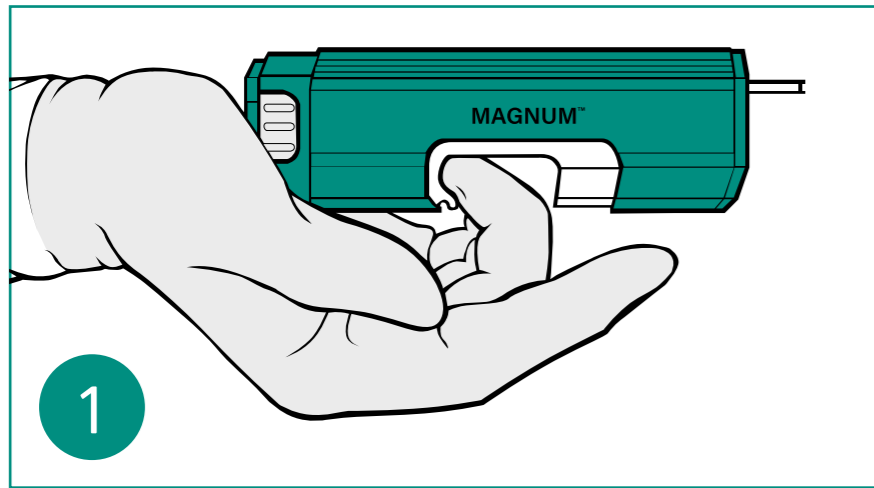


# Magnum™

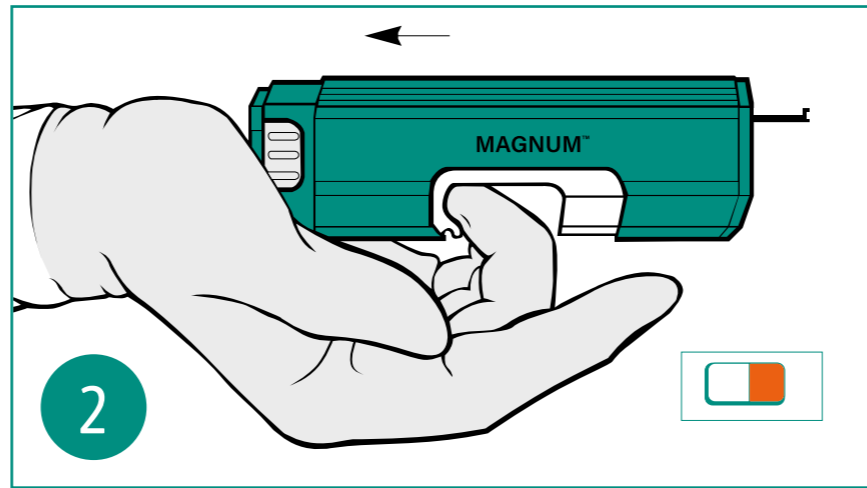
## Reusable Core Biopsy Instrument



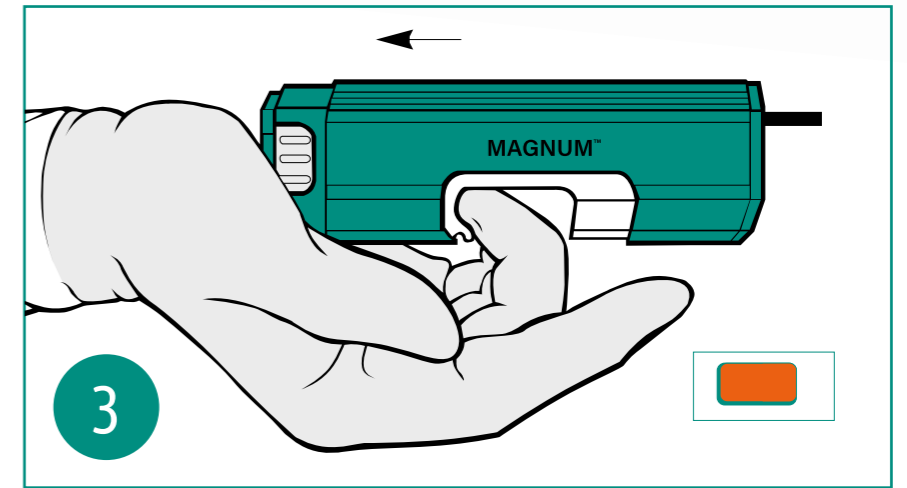
### Step by step guide



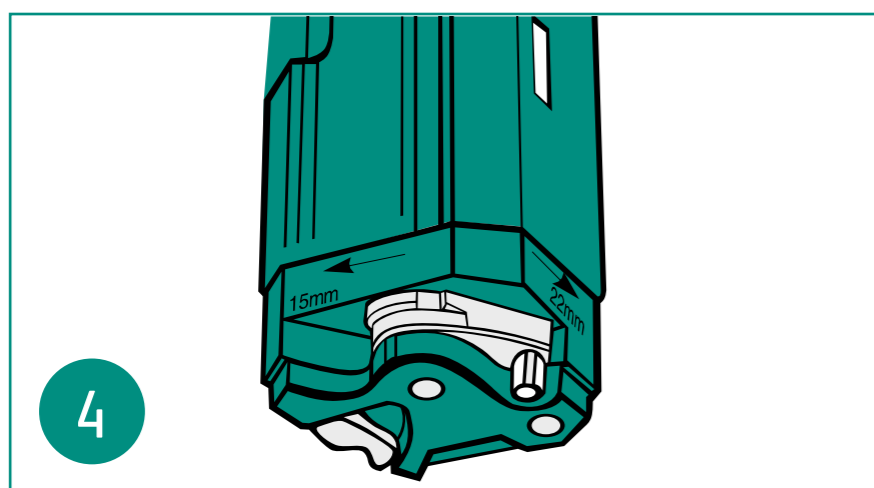
1 How to hold the Magnum™ core biopsy instrument



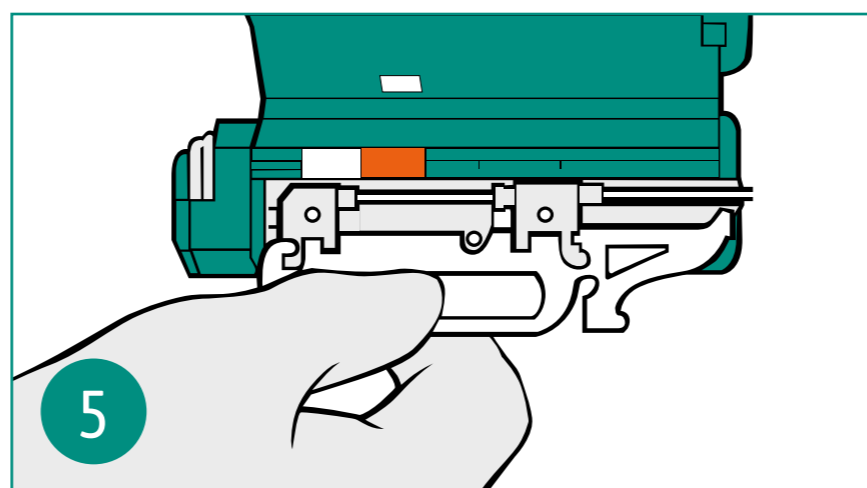
2 Half energised



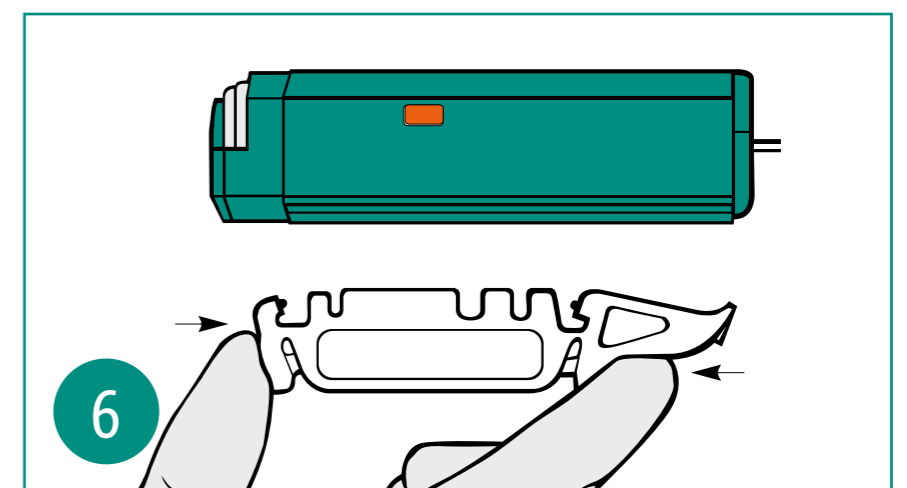
3 Fully energised



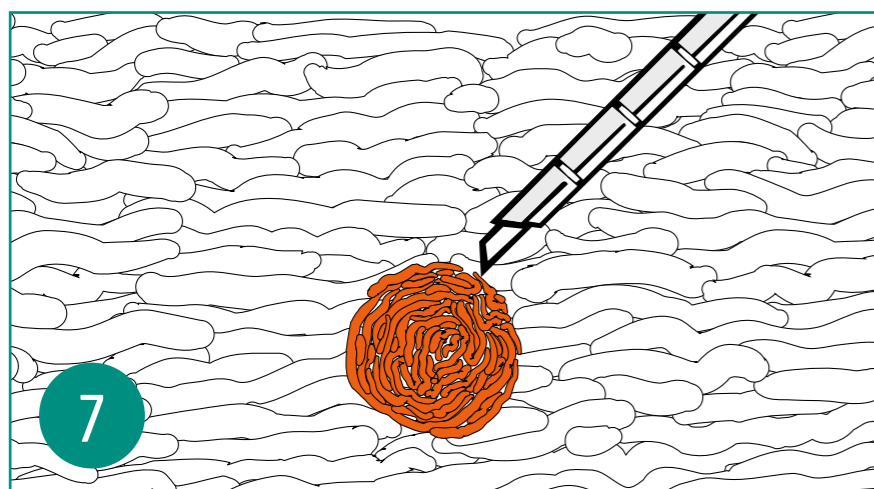
4 Select throw depth



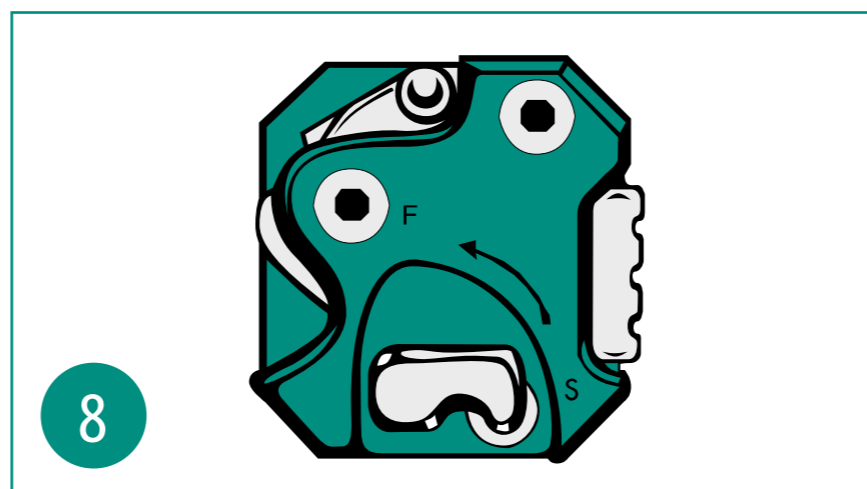
5 Insert needle



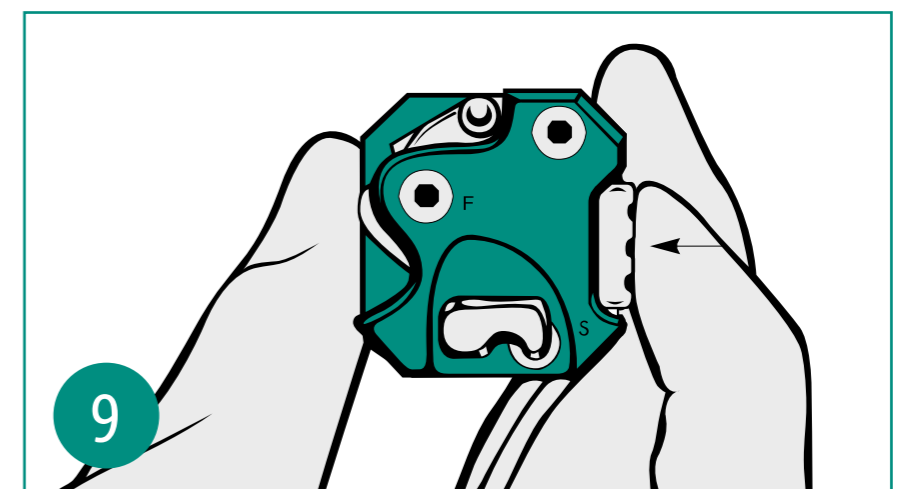
6 Remove spacer, then close cover



7 Nick skin and align with lesion



8 Switch safety (S) to fire (F)



9 Press trigger to fire

To remove a sample, simply repeat step 2.



### Troubleshooting guide

Problem	Try This	If this doesn't work...
Gun is hard to energise, or does not energise completely	<ul style="list-style-type: none"> <li>Position gun in hand correctly (see step 1)</li> <li>Pull cocking slide all the way back (step 2 &amp; 3)</li> <li>Ensure the 'safety' 'S' is not in 'F' position (step 8)</li> <li>Clean and lubricate gun</li> </ul>	call your local BD representative for instructions on returning the device to BD for servicing
Gun is hard to fire, or does not fire	<ul style="list-style-type: none"> <li>Ensure the gun is completely energised (step 3)</li> <li>Ensure the 'safety' 'S' is in 'F' position (step 8)</li> <li>Clean and lubricate gun</li> </ul>	call your local BD representative for instructions on returning the device to BD for servicing
Gun doesn't fire, completely	<ul style="list-style-type: none"> <li>Clean and lubricate gun</li> </ul>	call your local BD representative for instructions on returning the device to BD for servicing
Can't switch between 15mm and 22mm positions	<ul style="list-style-type: none"> <li>Ensure the gun is completely energised (step 3)</li> <li>Clean and lubricate gun</li> </ul>	call your local BD representative for instructions on returning the device to BD for servicing

BD recommends that the instrument be cleaned and lubricated using the products listed below after every use, in accordance with the Instructions For Use. The cleaner and lubricant are EtO and steam sterilizable, and will enhance the performance and longevity of the instrument.  
**DO NOT USE** 2% glutaraldehyde, bactericidal solutions, concentrated chlorhexidine gluconate, or any other agent containing alcohol, as it may cause the instrument to not function properly.

### Cleaning instructions

Inspect the instrument for signs of deterioration or damage (cracking, blistering, separation of coating, pitting). **Do Not Use** if deterioration or damage are observed. Thoroughly wash the instrument in a mild, warm detergent.

BD recommends hand dishwashing detergent. Then rinse all parts well with hot water. Thoroughly dry the product inside and out.

### Lubrication instructions

Use quality medical grade lubrication compatible with the sterilization methods identified. BD recommends the use of Magnum™ lubrication pack, product number LP-1522.

### Sterilisation instructions

Sterilize either by autoclaving or ethylene oxide. Prior to sterilization the instrument should be cleaned and placed in appropriate packaging materials.

Although cycle conditions and times will vary, typical conditions for autoclaving are 250 C for 30 minutes and for ethylene oxide sterilization, 500mg/L ethylene oxide, 50%-70% relative humidity (RH) and 120 F, with exposure time dependent on type of vessel.

To ensure effectiveness, sterilization process should be properly validated and monitored with the proper biological controls. Sterilization operations should proceed according to sterilizer **Do not sterilize by irradiation.**

### Ordering information

	Order number	Magnum™ gauge size and needle length	Compatible TruGuide™ Coaxial order number
12 g	MN1210	12 g x 10 cm	C1210B
	MN1213	12 g x 13 cm	C1213B
	MN1216	12 g x 16 cm	C1216B
	MN1220	12 g x 20 cm	—
14 g	MN1410	14 g x 10 cm	C1410B
	MN1413	14 g x 13 cm	C1413B
	MN1416	14 g x 16 cm	C1416B
	MN1420	14 g x 20 cm	—
16 g	MN1610	16 g x 10 cm	C1610B
	MN1613	16 g x 13 cm	C1613B
	MN1616	16 g x 16 cm	C1616B
	MN1620	16 g x 20 cm	C1620B
18 g	MN1810	18 g x 10 cm	C1810B
	MN1813	18 g x 13 cm	C1813B
	MN1816	18 g x 16 cm	C1816B
	MN1820	18 g x 20 cm	C1820B
	MN1825	18 g x 25 cm	—
20 g	MN1830	18 g x 30 cm	—
	MN2010	20 g x 10 cm	C2010B
	MN2013	20 g x 13 cm	C2013B
	MN2016	20 g x 16 cm	C2016B
	MN2020	20 g x 20 cm	C2020B

**10 needles per case.**  
 Needles only, Magnum™ Reusable Core Biopsy Instrument and Compatible TruGuide™ Disposable Coaxial Biopsy Needles sold separately.

### Indications for Use:

The Magnum™ Biopsy System (instrument and needles) is intended for use in obtaining biopsies from soft tissues such as liver, kidney, prostate, breast, spleen, lymph nodes and various soft tissue tumors.

Contraindications: Not intended for use in bone.

Warnings:

- Good medical judgment should be exercised in considering biopsy on patients who are receiving anticoagulant therapy or who have a bleeding disorder.
- The collection of multiple needle cores may help to ensure the detection of any cancer tissue.

3. A "negative" biopsy in the presence of suspicious radiographic findings does not preclude the presence of carcinoma.

- Post-biopsy patient care may vary with the biopsy technique utilized and the individual patient's physiological condition. Observation of vital signs and other precautions should be taken to avoid and/or treat potential complications that may be associated with biopsy procedures.
- The Magnum™ Disposable Core Biopsy Needle with spacer has been designed for single use only. Reusing this medical device bears the risk of cross-patient contamination as medical devices – particularly those with long and small lumina, joints, and/or crevices between components – are difficult or impossible to clean once body fluids or tissues with potential pyrogenic or microbial contamination have had contact with

the medical device for an indeterminable period of time. The residue of biological material can promote the contamination of the device with pyrogens or microorganisms which may lead to infectious complications.

6. Do not resterilize the Magnum™ Disposable Core Biopsy Needle with spacer. After reesterilization, the sterility of the product is not guaranteed because of an indeterminable degree of potential pyrogenic or microbial contamination which may lead to infectious complications. Cleaning, reprocessing and/or reesterilization of the present medical device increases the probability that the device will malfunction due to potential adverse effects on components that are influenced by thermal and/or mechanical changes.

Please consult product labels and inserts for complete indications, contraindications, hazards, warnings, precautions and directions for use.

bd.com

Bard is now a wholly owned subsidiary of BD.  
 BD, the BD Logo, Magnum and TruGuide are trademarks of Becton, Dickinson and Company.  
 © 2021 BD and its subsidiaries. All rights reserved. 1021/6255 BD-37809

CE  
 2797

BD Switzerland Sarl  
 Terre Bonne Park – A4, Route De Crassier, 17, 1262 Eysins, Vaud, Switzerland  
 T: +41 21 556 3000

